

**Trusted For Reliability & Service**

Hydraulic : Press Machine's



**Leading Manufacturers Of  
Hydraulic Press Machine's**



## About Us

**M. R. GROUP** specialist in the hydraulic press machine manufacturer in India, since 2007. We are specializing exclusively in the development and production of hydraulic sheet metal press 50 to 1500 tons machines.



**M. R. GROUP** is experienced in designing and manufacturing various types of hydraulic press machines and stamping machines, especially specialized in manufacturing servo hydraulic press machines. Hydraulic press machines mainly applied to hardware, automotive, powder compacting, die casting, electronic, cookware, paper industries and other industries. We can provide total solutions, including machines, moulds, products processing technology, and automated production lines.



### Vision

“We envision adhering to our Core Values of being a reliable market leader & simultaneously offering unsurpassed Organizational Excellence in all our undertaking”

“Our mission is to be a dynamic team, providing the highest quality material to customer with appropriate & satisfactory services available”



### Mission

## Core Values



TEAMWORK



CUSTOMER SATISFACTION



QUALITY PRODUCTS



INTEGRITY



SAFETY FIRST



RESPECT FOR PEOPLE

## Product Description

Conservative and Practical, Hydraulic control embraces to embed set valve integrated system, decrease let out point. Movement reliability, durable and long life span. It is consistent strain to acknowledge with quiet in any case and quiet procedure two create technology, have to guarantee press the capacity of postpone time, The course of working weight might be controlled in allotted scope, receive catches for brought together control. Can acknowledgment manual, Semi-automatic.



## Specialized Performance of Hydraulic Deep Draw Press :

- ✓ Low vitality utilization, fast, low clamor, high effectiveness
- ✓ Slider isolate speed into two fragments to control : discharge stacking quick, gradually close form, extend
- ✓ Movement crossbeam has security limiter in both here and there bearings
- ✓ Outfitted with photoelectric assurance gadget, could ensure the security of the activity
- ✓ With the capacity of programmed and manual, it's convertible
- ✓ Two task show, viz. weight control and stroke direction which can be selected through operational board, and has the character of weight keeping and timedeferring

## Utilization :

- ✓ Vehicle parts: car body covering parts, braking, fuel tanks, skeleton, pivot case, guard
- ✓ Family apparatus: clothes washer, TV, fridge, aerating and cooling, rice cooker and different parts
- ✓ Kitchenware: sink, tea set and Other sorts of holders

Technical Specification Of Hydraulic Press Deep Draw with Blank Holder

Model No	Model No	Daylight	Stroke Length	Blank Holder (Main Cylinder)	Blank Holder (stroke)	Platen / Bed Size	Electric Motor	Working Pressure
	(Ton)	(mm)		(Ton)		(mm)	(hp)	(bar)
MRG - 50 + 50	100	525	475	50	275	400 x 400	5	210
MRG - 75 + 75	150	650	600	75	350	500 x 500	5	210
MRG - 100 + 100	200	650	600	100	350	600 x 600	10	210
MRG - 125 + 125	250	650	600	125	350	700 x 700	10	210
MRG - 150 + 150	300	750	700	150	350	800 x 1000	20	210
MRG - 200 + 200	400	800	750	200	450	900 x 1200	30	210
MRG - 250 + 250	500	850	800	250	500	1200 x 1500	30	210
MRG - 300 + 300	600	900	850	350	450	1500 x 1900	40	210
MRG - 400 + 400	800	1000	900	400	500	1800 x 2800	50	210
MRG - 500 + 500	1000	1200	1100	500	600	2200 x 2200	75	210

## Notification :

- ✓ MR GROUP INDIA Deep Draw Press Capacity Available Up to 1500 Tons.
- ✓ Heavy Duty Press Will Be Available.
- ✓ Non stander Press Will Be Manufactured As Per Customer Requirement.
- ✓ Customer selection model number or any changes please write on properly.

## Hydraulic Press C - Frame

» All Dimensions in mm

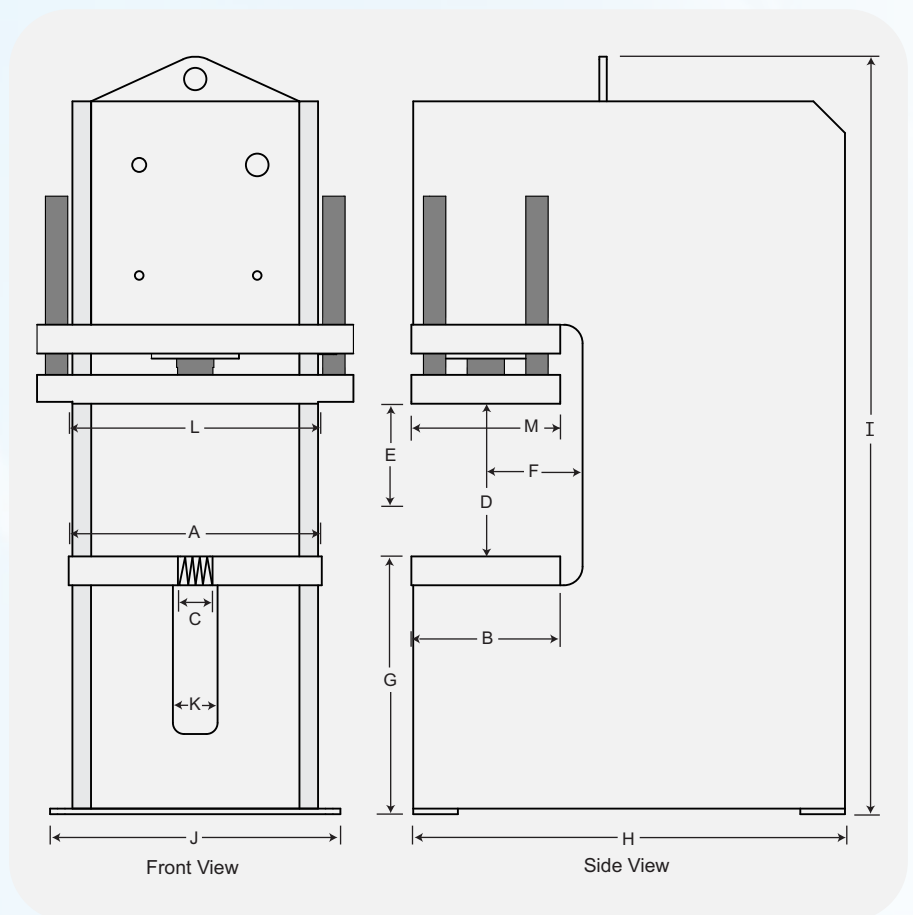
Model Number	KEY	MRG - 75	MRG - 100	MRG - 150
Tons of force (maximum)		75	100	150
Approach speed (Per minute)		2700	2135	2365
Press speed (Per minute)		325	250	200
Return speed (Per minute)		3225	2600	3125
Table (left to right)	A	850	850	850
Table (front to back)	B	500	500	500
U-Slot width	C	100	100	100
Daylight	D	515	515	515
Maximum stroke (adjustable)	E	380	380	380
Throat	F	325	325	325
Floor to table	G	900	900	900
Front to back	H	1500	1500	1500
Height (overall)	I	2550	2550	2550
Width	J	950	950	950
Clearance	K	200	200	200
Upper platen (left to right)	L	900	900	900
Upper platen (front to back)	M	500	500	500
Motor HP @ 1440 RPM		10 HP	10 HP	15 HP
Voltages available	2		415	

### C FRAME PRESSES 75 / 100 / 150 TON

#### Standard Features

- ✓ Pressure gauge.
- ✓ Pressure regulator.
- ✓ Adjustable speed control.
- ✓ Adjustable stroke control.
- ✓ Pressure reversal switch.
- ✓ Ram travel is guided by 4 precision-ground chromed rods.
- ✓ Jog mode used for simplifying setups
- ✓ Dual Control - your choice of using: (1) Moveable pedestal c/w dual electric palm buttons & extra emergency stop or (2) Foot pedal.
- ✓ P.L.C. programmable control system.
- ✓ Quality BALDOR motor, low speed.
- ✓ Air-Cooled industrial oil cooler.
- ✓ All hydraulic and mechanical parts are standard in the industry.
- ✓ All Dimensions in mm

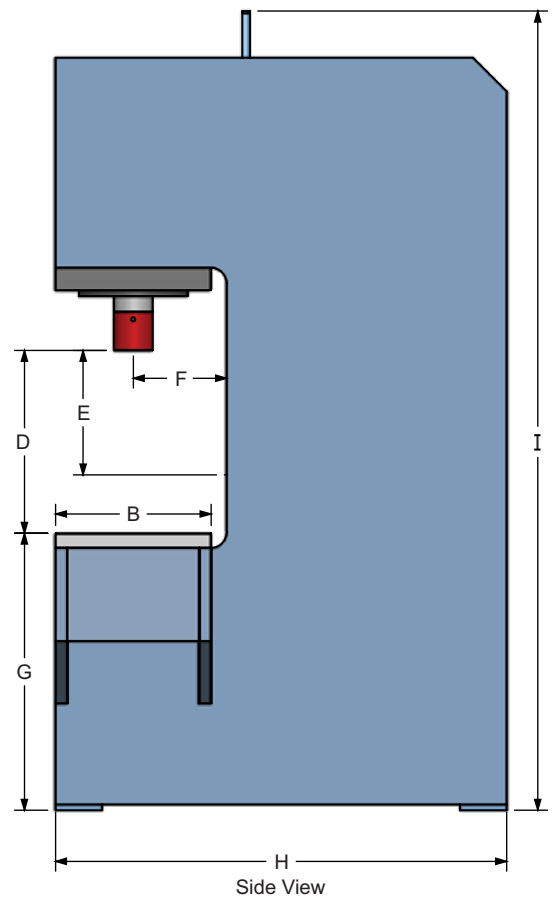
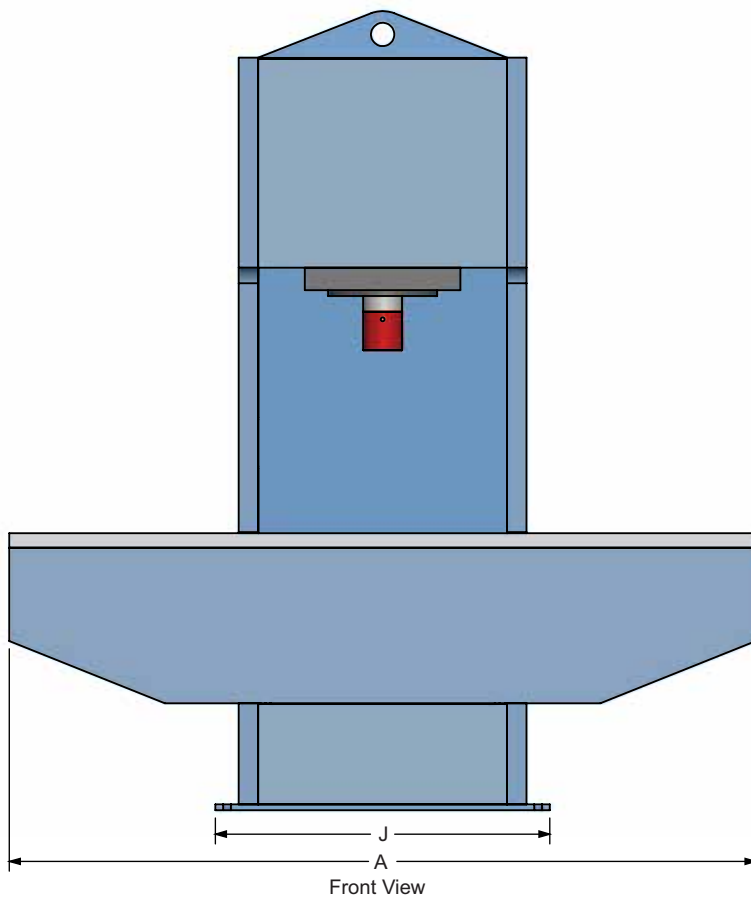
MODEL	WEIGHT (KGS.)	SHIPPING DIMENSIONS		
		L	W	H
MRG - 75	4,600	1625	1500	2800
MRG - 100	5,260	1625	1500	2800
MRG - 150	6,070	1625	1500	2800

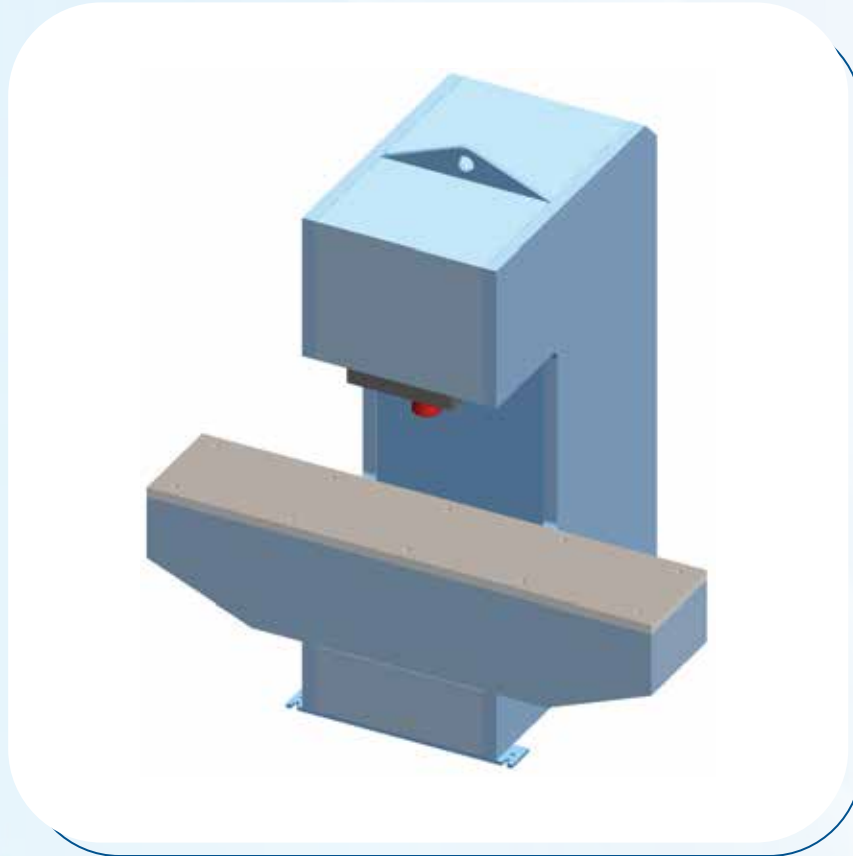


## Hydraulic Straightening C Type Press

• All Dimensions in mm

Model Number	KEY	MRG - 100	MRG - 150	MRG - 250
Tons of force (maximum)		100	150	250
Approach speed (Per minute)		500	600	450
Press speed (Per minute)		500	150	100
Return speed (Per minute)		650	700	525
Table (left to right)	A	2400	2400	2400
Table (front to back)	B	500	500	500
Daylight	D	700	650	600
Maximum stroke	E	450	400	400
Throat	F	300	300	300
Floor to table	G	900	900	900
Front to back	H	1450	1450	1450
Height (overall)	I	2600	2600	2600
Width	J	1050	1050	1100
Motor HP @ 1440 RPM		10 HP	10 HP	10 HP
Voltages available		415		





**STRAIGHTENING PRESSES 100 / 150 / 250 TON**

## STANDARD FEATURES

- ✓ **Electric / Hydraulic operation** provides smooth, consistent pressing action.
- ✓ **Flat ram nose** can be easily changed to allow the user to adapt the press to a specific job.
- ✓ **Quality Baldor motor**, low speed.
- ✓ **Low speed pump** - quiet, dependable operation.
- ✓ **Pressure regulator** to limit the ram pressure.
- ✓ **Cylinder activation** is hand lever controlled, the more the hand lever is engaged the more the ram movement is accelerated. This allows the operator to control the proper speed for the task.
- ✓ **High capacity** 68 Grade. Hydraulic oil reservoir.
- ✓ **Low pressure** hydraulic system maintains lower oil temperatures, resulting in higher efficiency and safer operation.
- ✓ **All hydraulic and mechanical parts are standard** in the industry.

• All Dimensions in mm

### AVAILABLE OPTIONS

- Foot pedal** - electric solenoid valve for hands-free operation, c/w electric control panel.
- Adjustable stroke control** c/w foot pedal-electric solenoid valve and electric control panel.
- 415 VOLTS 3 PHASE**

MODEL	WEIGHT (KGS.)	SHIPPING DIMENSIONS		
		L	W	H
MRG-100	3,720	1600	1475	2750
MRG-150	4,500	1600	1475	2750
MRG-250	5,800	1600	1475	2750



## We Are Authorised Business Partners With

- Dev Machinery.
- Tucson Hydro Controls Pvt. Ltd.
- Sonico Industries.
- THM Huade Hydraulic Pvt. Ltd.



## CONTACT WITH US

**Call : +91 9923026631 / +91 8208405529**

Email : [sales@mrgroupindia.co.in](mailto:sales@mrgroupindia.co.in) / [enquiry@mrgroupindia.co.in](mailto:enquiry@mrgroupindia.co.in)

Web : [www.mrgroupindia.co.in](http://www.mrgroupindia.co.in)

### ▪ Pune Office (Sales & Marketing) ▪

Gat No.1205, Sonawane Wasti Road, Near IIBM  
College, Chikhali, Pune, Maharashtra- 411062

### ▪ Ahmedabad (Factory) ▪

Plot No. 20, Suvarnabhumi Industrial Park, B/h.  
Shiv Hospital, Kujad Barkol Road, Ahmedabad,  
Gujrat - 382210